

# SYMBOL LEGEND

SWITCHES	
§	SWITCH, SPST, 20A, 120/277V
§ 3	SWITCH, 20A, 120/277V, "2" DENOTES DPST, "3" DENOTES THREE-WAY, "4" DENOTES FOUR-WAY
ⓓ	DIMMER CONTROL SWITCH, 1000 WATT UNLESS OTHERWISE NOTED
§ M	SWITCH, MOTION SENSOR, NOVITAS #01-133
§ OC	WALL MOUNTED OCCUPANT SENSOR WITH 0-10V DIMMER. PROVIDE ENOUGH SENSORS (CEILING OR WALL MOUNTED) FOR FULL ROOM COVERAGE. CONNECT LIGHT FIXTURES SERVING ROOM THROUGH NEW SENSOR(S). LIGHTS MUST BE TURNED ON MANUALLY (OR OPTIONALLY CAN BE CONFIGURED TO COME ON AUTOMATICALLY TO 50%). EATON #VSW-P-010
Ⓜ	HASH MARKS INDICATE NUMBER OF CONDUCTORS PHASE/NEUTRAL/SWITCH LEG/GROUND FROM LEFT TO RIGHT. NO HASH MARKS INDICATES 2#12, 1#12/0, UNLESS OTHERWISE NOTED.
Ⓜ	UNDERGROUND CONDUIT
RECEPTACLES AND OUTLETS	
Ⓜ	DUPLEX WALL RECEPTACLE, NEMA 5-15R, 15A, 125V OR NEMA 5-20R, 20A, 125V, RE: SPECIFICATIONS, DOT INDICATES ABOVE COUNTER.
WP	DUPLEX WALL RECEPTACLE. "WP" DENOTES WEATHERPROOF, "TP" DENOTES SAFETY TYPE, "GFI" DENOTES GROUND FAULT PROTECTION, DOT INDICATES ABOVE COUNTER.
Ⓜ	FOURPLEX WALL RECEPTACLE, NEMA 5-15R, 15A, 125V, DOT INDICATES ABOVE COUNTER.
Ⓜ	SPECIAL RECEPTACLE, NEMA CONFIGURATION AS NOTED. DOT INDICATES ABOVE COUNTER.
Ⓜ	FLOOR OUTLET
Ⓜ	JUNCTION BOX
Ⓜ	DIRECT CONNECTION TO EQUIPMENT
Ⓜ	TELEPHONE WALL OUTLET. PROVIDE 2"x4" OUTLET BOX WITH 3/4" CONDUIT AND PULL STRING TO ABOVE CEILING.
Ⓜ	DATA WALL OUTLET. PROVIDE 2"x4" OUTLET BOX WITH 3/4" CONDUIT AND PULL STRING TO ABOVE CEILING.
Ⓜ	COMBINATION RECEPTACLE/TELEPHONE/DATA FLOOR OUTLET
Ⓜ	HUBBELL #B4333 FLOOR BOX HUBBELL 1 - #S3825 AND 2 - #S3825 COVER HUBBELL, #SB3085 CARPET FLANGE
Ⓜ	HUBBELL #B4233 FLOOR BOX HUBBELL 1 - #S3825 COVER AND 1 - #S3825 COVER HUBBELL, #SB3084 CARPET FLANGE
Ⓜ	HUBBELL #B2436 FLOOR BOX HUBBELL #S3825 COVER HUBBELL, #SB3083 CARPET FLANGE
Ⓜ	CATV. PROVIDE 2"x4" OUTLET BOX WITH 3/4" CONDUIT AND PULL STRING TO ABOVE CEILING.
ELECTRICAL EQUIPMENT	
Ⓜ	DISTRIBUTION PANEL
Ⓜ	PLYWOOD TERMINAL BOARD, TYPE AS NOTED, 4" X 8" X 3/4", UNLESS NOTED OTHERWISE
T	TRANSFORMER
MOTORS AND CONTROLS	
Ⓜ	SINGLE OR THREE PHASE MOTOR
Ⓜ	DISCONNECT (SAFETY) SWITCH "200/3/150" DENOTES AMPERES/POLE/FUSE, "NF" DENOTES NON-FUSED
Ⓜ	MOTOR STARTER
Ⓜ	COMBINATION DISCONNECT (SAFETY) SWITCH AND MOTOR STARTER "30/3/150" DENOTES AMPERES/POLES/FUSE STARTER SIZE, "NF" DENOTES NON-FUSED.
Ⓜ	MANUAL MOTOR STARTING WITH THERMAL OVERLOAD
FIRE ALARM	
FACP	FIRE ALARM CONTROL PANEL (FLUSH/SURFACE)
Ⓜ	CEILING SPEAKER/STROBE
Ⓜ	WALL SPEAKER/STROBE
Ⓜ	CEILING STROBE
Ⓜ	WALL STROBE
Ⓜ	SPEAKER
Ⓜ	MANUAL PULL STATION
Ⓜ	AREA SMOKE DETECTOR, "H" HEAT DETECTOR, "DD" DUCT DETECTOR.
Ⓜ	SPRINKLER FLOW SWITCH
Ⓜ	VALVE SUPERVISORY SWITCH
NL	NIGHT LIGHT

## BRANCH PANEL: L1

LOCATION: MECH/ELEC 108  
SUPPLY FROM: L1  
MOUNTING: SURFACE  
ENCLOSURE: Type 1

VOLTS: 120/208 Wye  
PHASES: 3  
WIRES: 4

A.I.C. RATING:  
MAINS TYPE: MCB  
MAINS RATING: 200 A  
MCB RATING: 200 A

### NOTES:

CKT	CIRCUIT DESCRIPTION	WIRE	TRIP	POLES	A	B	C	POLES	TRIP	WIRE	CIRCUIT DESCRIPTION	CKT
1	EXISTING CIRCUIT	20 A	1	0 VA	0 VA			1	20 A		EXISTING CIRCUIT	2
3	EXISTING CIRCUIT	20 A	1		0 VA	0 VA		1	20 A		EXISTING CIRCUIT	4
5	EXISTING CIRCUIT	20 A	1				0 VA	1	20 A		EXISTING CIRCUIT	6
7	EXISTING CIRCUIT	20 A	1	0 VA	0 VA			1	20 A		EXISTING CIRCUIT	8
9	EXISTING CIRCUIT	20 A	1			0 VA	0 VA	1	20 A		EXISTING CIRCUIT	10
11	EXISTING CIRCUIT	20 A	1			0 VA	0 VA	1	20 A		EXISTING CIRCUIT	12
13	EXISTING CIRCUIT	20 A	1	0 VA	0 VA			1	20 A		EXISTING CIRCUIT	14
15	EXISTING CIRCUIT	20 A	1			0 VA	0 VA	1	20 A		EXISTING CIRCUIT	16
17	EXISTING CIRCUIT	20 A	1			0 VA	0 VA	1	20 A		EXISTING CIRCUIT	18
19	EXISTING CIRCUIT	20 A	1	0 VA	0 VA			1	20 A		EXISTING CIRCUIT	20
21	EXISTING CIRCUIT	20 A	1			0 VA	0 VA	1	20 A		EXISTING CIRCUIT	22
23	EXISTING CIRCUIT	20 A	1			0 VA	0 VA	1	20 A		EXISTING CIRCUIT	24
25	EXISTING CIRCUIT	20 A	1	0 VA	0 VA			1	20 A		EXISTING CIRCUIT	26
27	EXISTING CIRCUIT	20 A	1			0 VA	0 VA	1	20 A		EXISTING CIRCUIT	28
29	EXISTING CIRCUIT	20 A	1			0 VA	0 VA	1	20 A		EXISTING CIRCUIT	30
31	EXISTING CIRCUIT	20 A	1	0 VA	0 VA			1	20 A		EXISTING CIRCUIT	32
33	EXISTING CIRCUIT	20 A	1			0 VA	0 VA	1	20 A		EXISTING CIRCUIT	34
35	EXISTING CIRCUIT	20 A	1			0 VA	0 VA	1	20 A		EXISTING CIRCUIT	36
37	EXISTING CIRCUIT	20 A	1	0 VA	3103 VA			3	100 A		PANEL L2 *	38
39	EXISTING CIRCUIT	20 A	1			0 VA	2340 VA					40
41	EXISTING CIRCUIT	20 A	1			0 VA	2695 VA					42
<b>TOTAL LOAD:</b>					3103 VA	2340 VA	2695 VA					
<b>TOTAL AMPS:</b>					26 A	20 A	23 A					

### LEGEND:

LOAD CLASSIFICATION	CONNECTED LOAD	DEMAND FACTOR	ESTIMATED DEMAND	PANEL TOTALS
Lighting	2134 VA	125.00%	2668 VA	
Lighting - Exterior	423 VA	125.00%	529 VA	<b>TOTAL CONN. LOAD:</b> 8137 VA
Power	540 VA	100.00%	540 VA	<b>TOTAL EST. DEMAND:</b> 8776 VA
Receptacle	5040 VA	100.00%	5040 VA	<b>TOTAL CONN.:</b> 23 A
				<b>TOTAL EST. DEMAND:</b> 24 A

### NOTES:

\* - RELOCATE EXISTING 3 - 20AMP CIRCUITS TO NEW PANEL L2

## BRANCH PANEL: L2

LOCATION: MECH/ELEC 108  
SUPPLY FROM: L1  
MOUNTING: SURFACE  
ENCLOSURE: Type 1

VOLTS: 120/208 Wye  
PHASES: 3  
WIRES: 4

A.I.C. RATING:  
MAINS TYPE: MCB  
MAINS RATING: 100 A  
MCB RATING:

### NOTES:

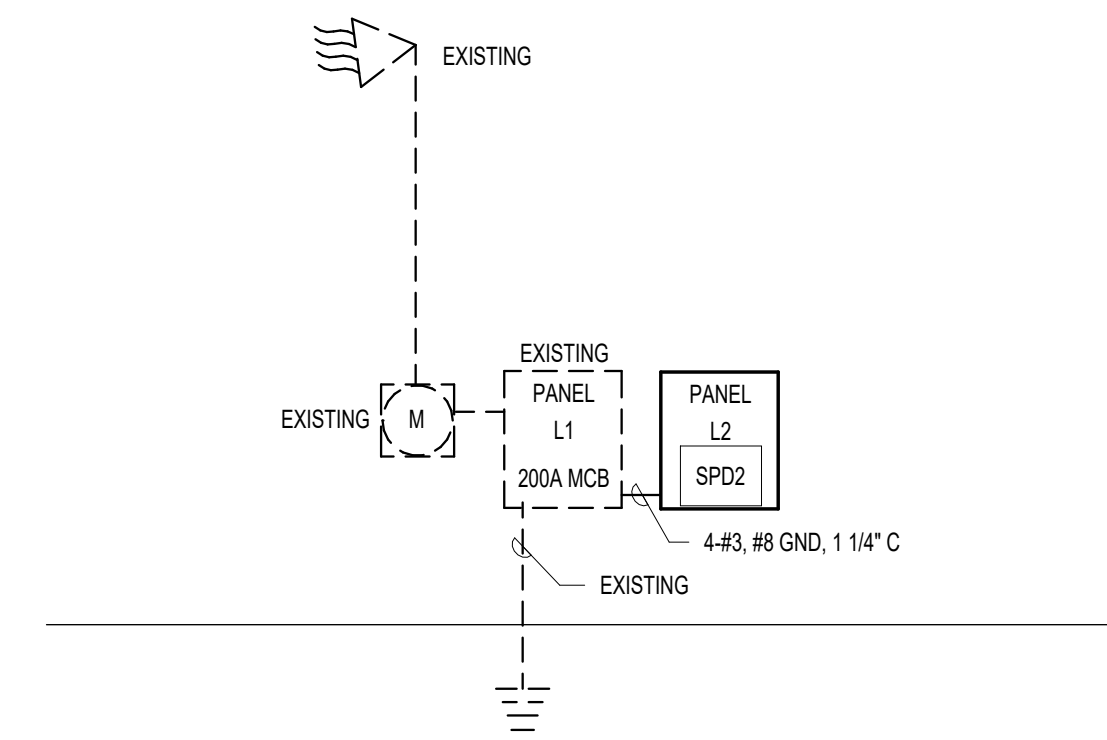
CKT	CIRCUIT DESCRIPTION	WIRE	TRIP	POLES	A	B	C	POLES	TRIP	WIRE	CIRCUIT DESCRIPTION	CKT	
1	RECEPTACLES 117	#12	20 A	1	360...	1080 VA			1	20 A	#12 QUAD RECEPTACLES 114	2	
3	RECEPTACLES 115	#10	20 A	1		360 VA	540 VA		1	20 A	#10 RECEPTACLES 100,118	4	
5	RECEPTACLES 116	#10	20 A	1				360 VA	360...	1	20 A	#12 QUAD RECEPTACLES 105	6
7	RECEPTACLES 103	#10	20 A	1	180...	540 VA			1	20 A	#10 RECEPTACLES 100,103	8	
9	RECEPTACLES 104	#12	20 A	1		360 VA	720 VA		1	20 A	#10 RECEPTACLES 101,102	10	
11	LIGHTING	#12	20 A	1			713 VA	1082...	1	20 A	#12 LIGHTING	12	
13	EXTERIOR LIGHTING *	#12	20 A	1	763...	180 VA			1	20 A	-- EXISTING CIRCUIT **	14	
15	RECEPTACLES 113	#12	20 A	1		180 VA	180 VA		1	20 A	-- EXISTING CIRCUIT **	16	
17	SPARE	20 A	1				0 VA	180...	1	20 A	-- EXISTING CIRCUIT **	18	
19	SPARE	20 A	1	0 VA	0 VA				1	20 A	SPARE	20	
21	SPARE	20 A	1			0 VA	0 VA		1	20 A	SPARE	22	
23	SPACE	--	1					--	--	1	SPARE	24	
25	SPACE	--	1	--	--				1	--	SPACE	26	
27	SPACE	--	1		--	--			1	--	SPACE	28	
29	SPACE	--	1		--	--			1	--	SPACE	30	
31	SPACE	--	1	--	--				1	--	SPACE	32	
33	SPACE	--	1		--	--			1	--	SPACE	34	
35	SPACE	--	1		--	--			1	--	SPACE	36	
37	SPACE	--	1	--	0 VA				3	30 A	SPD	38	
39	SPACE	--	1		--	0 VA			--	--	--	40	
41	SPACE	--	1		--	0 VA			--	--	--	42	
<b>TOTAL LOAD:</b>					3103 VA	2340 VA	2695 VA						
<b>TOTAL AMPS:</b>					26 A	20 A	23 A						

### LEGEND:

LOAD CLASSIFICATION	CONNECTED LOAD	DEMAND FACTOR	ESTIMATED DEMAND	PANEL TOTALS
Lighting	2134 VA	125.00%	2668 VA	
Lighting - Exterior	423 VA	125.00%	529 VA	<b>TOTAL CONN. LOAD:</b> 8137 VA
Power	540 VA	100.00%	540 VA	<b>TOTAL EST. DEMAND:</b> 8776 VA
Receptacle	5040 VA	100.00%	5040 VA	<b>TOTAL CONN.:</b> 23 A
				<b>TOTAL EST. DEMAND:</b> 24 A

### NOTES:

\* - EXTERIOR LIGHTING CONTROL- AUTO OFF WHEN DAYLIGHT AVAILABLE. FACADE, LANDSCAPE LIGHTS AUTO OFF WITH FUNCTION OF DUSK/DOWN AND OPEN CLOSE TIME. REDUCE LIGHTING >= 30% NO LATER THAN MIDNIGHT TO 6am, ONE HOUR AFTER CLOSING TO ONE HOUR BEFORE OPENING, OR WHEN NO ACTIVITY FOR > 15 MINUTES. PROVIDE 20A POWER PACK(S) AS REQUIRED.  
\*\* - RELOCATED EXISTING CIRCUITS FROM EXISTING PANE L1



1 ELECTRICAL ONE LINE DIAGRAM  
N.T.S.

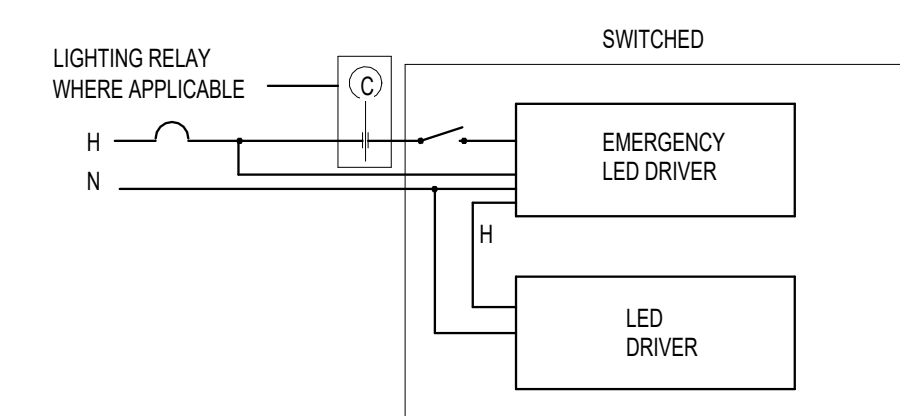
### Load Analysis

	Connect	Demand	A Amps	B Amps	C Amps	N Amps
LIGHTING REMOVED	7.4	1.25	-9.3	-25.7	-25.7	-25.7
RECEPTACLES REMOVED (@180W EACH)	-3.4	1.00	-3.4	-9.5	-9.5	-9.5
LIGHTING NEW	2.1	1.25	2.6	7.3	7.3	7.3
RECEPTACLES NEW	5.0	1.00	5.0	14.0	14.0	14.0
<b>Total</b>	-3.7		-5.0	-14.0	-14.0	-14.0

NO LOAD ADDED TO EXISTING SERVICE  
120/208V, 3 PHASE, 4 WIRE SERVICE

### SPD SCHEDULE

MARK	MODEL	CABLE SIZE
SPD2	80KA PER PHASE, 120/208 3P	5 #10, 1 1/2" C



2 TYPICAL EMERGENCY LED DRIVER WIRING  
12" x 14"

### LIGHTING FIXTURE SCHEDULE

MARK	DESCRIPTION	MOUNTING	LAMPS/WATTS	TYPE	VOLTS	REMARKS
A1	WILLIAMS P/N: FT-24-LS-8CS-AF-DIM-UNV - 39W@3500K	RECESSED	40	LED UNV		
A1E	WILLIAMS P/N: FT-24-LS-8CS-AF-DIM-UNV - 39W@3500K	RECESSED	40	LED UNV		WITH 90 MINUTE BATTERY BACKUP
A2	WILLIAMS P/N: FT-24-LS-8CS-AF-DIM-UNV - 27W@3500K	RECESSED	40	LED UNV		
A2E	WILLIAMS P/N: FT-24-LS-8CS-AF-DIM-UNV - 27W@3500K	RECESSED	40	LED UNV		WITH 90 MINUTE BATTERY BACKUP
C	WILLIAMS P/N: BP-24-LS-8CS-DIM-UNV 30W@4000K	RECESSED	40	LED UNV		
CE	WILLIAMS P/N: BP-24-LS-8CS-DIM-UNV 30W@4000K EM10W	RECESSED	40	LED UNV		WITH 90 MINUTE BATTERY BACKUP
DW	WILLIAMS P/N: 4DR-TL-L20840-DIM-UNV-LW-OF-CS-WETCC	RECESSED	19.5	LED UNV		
P	WILLIAMS P/N: 4DR-L30836-DIM-UNV + FW-OF-CS-	RECESSED	19.5	LED UNV		WITH 90 MINUTE BATTERY BACKUP
UC	UNDER COUNTER TASK LIGHT 3'	SURFACE	17	LED UNV		
V	VANITY	SURFACE	47	LED UNV		
WP	LSI P/N: XWM-FT-LED-BL-30-UE-FINISH	SURFACE	47	LED UNV		
X	EXIT LIGHT	SURFACE	2.5	LED UNV		WITH 90 MINUTE BATTER BACKUP



ARCHITECTURE | DESIGN | CONSTRUCTION  
15810 PARK TEN PLACE, SUITE 300  
HOUSTON, TEXAS 77084  
713-465-4650  
www.sligroup.com

PROSPERITY BANK - REMODEL  
2424 MARKET STREET  
GALVESTON, TEXAS 77550

Project Number :

ISSUED FOR CLIENT APPROVAL DATE

ISSUED FOR BIDDING

ISSUED FOR PERMIT

ISSUED FOR CONSTRUCTION

### REVISIONS

MARK	DESCRIPTION	DATE
A	Addendum A	03/06/26

The information, ideas, designs, details, layouts, techniques, features, arrangements, plans, sequences, dimensions, allowances, tolerances, concepts, specifications, intentions, technology or embodiments, as illustrated, arranged, displayed, noted, recorded, indicated, represented, disclosed, evidenced, detailed or otherwise reduced to tangible form herein, either expressly, inherently or by implication, are the confidential and proprietary information of SLI Design, Inc., and shall not be used for any purpose other than the specific project or undertaking identified on the drawing title block or legend for which they are and have been prepared by SLI Design, Inc. Any other reproduction, disclosure or use of any portion of the confidential and proprietary information of SLI Design, Inc., shall be a breach of the obligation of confidence created by the acceptance of this drawing from SLI Design, Inc. for a specific project or contract. Any copying, duplicating, reproducing, utilization, alteration, modification, revision or change to this drawing, is expressly prohibited unless done with the prior written consent or approval of SLI Design, Inc., and shall not be undertaken without receipt of such prior written approval. This drawing is loaned by SLI Design, Inc., for the limited purpose of complying with a specific contract. The drawing remains the property of SLI Design, Inc., and shall be returned upon request or completion of the contract, unless specifically authorized by Contract, under which it was loaned.

PRINT DATE: 3/6/2026 10:21:27 AM

DRAWING TITLE  
**ELECTRICAL DETAILS**

DRAWN BY JE SHEET NO.

CHECKED BY JE

APPROVED BY JE **E3.01**

JE#5130  
02/24/2026

THE SEAL APPEARING ON THIS DOCUMENT WAS AUTHORIZED BY N. CURTIS JONES, JR. P.E. 58428

**JONES ENGINEERS, L.P.**  
Consulting Mechanical/Electrical/Plumbing Engineers  
9820 Wilhott Dr. Houston, Texas 77095 (713)222-7766  
Texas Registered Engineering Firm #F-3811